



 AMANO

TCX-22

USER MANUAL



Specifications

Power Requirements:

For Clock Input: AC16.5V, 60Hz, 0.6A (Max.)

For AC Adapter: AC100V \pm 10%, 50/60Hz

AC120V \pm 10%, 60Hz

AC230V \pm 10%, 50/60Hz

Battery: 12V Sealed Rechargeable Lead-Acid Battery
NP1.2-12 12V 1.2Ah

Ambient Temperature: -10°C to 45°C (14°F to 113°F)

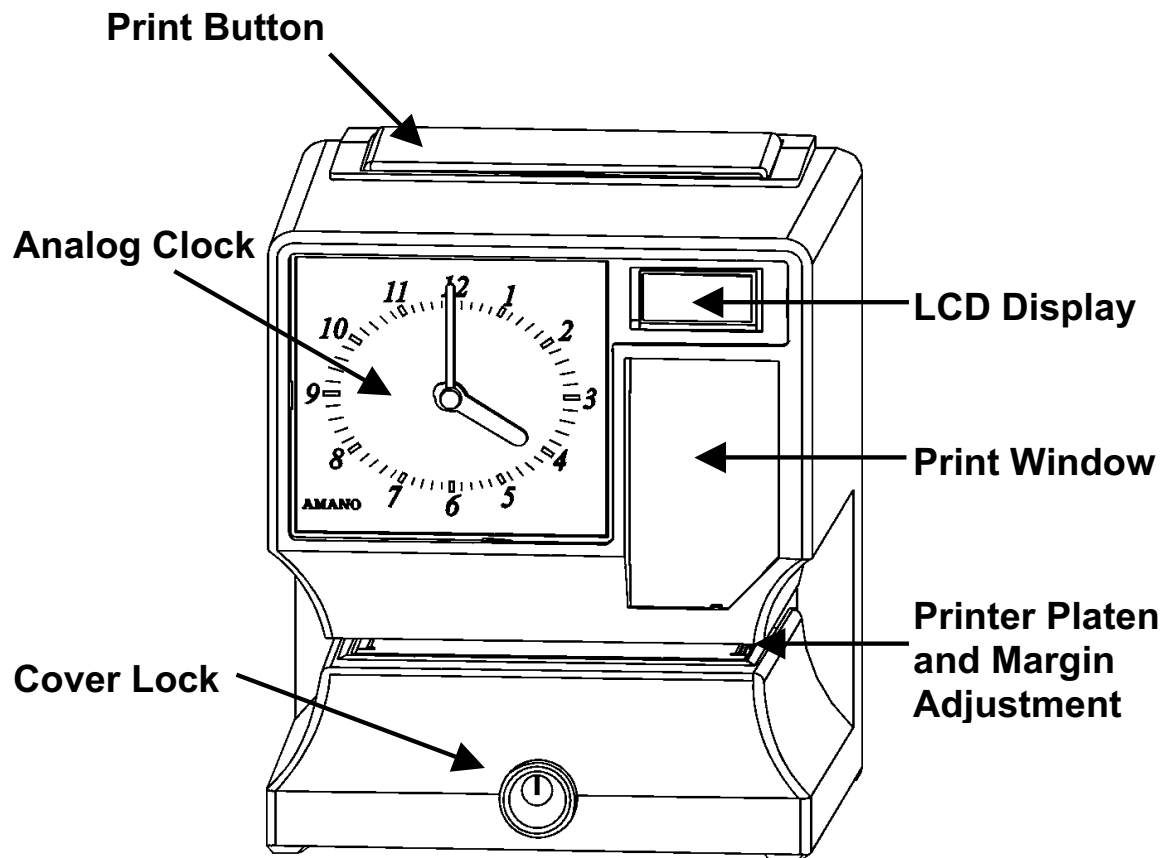
Ambient Humidity: 10% to 90% (non-condensing)

Dimensions: 6 7/8" (175 mm) wide x 8 1/4" (210 mm) high x
6 1/4" (159 mm) deep

Weight: Approximately 5.9 Kg (13 lbs.)

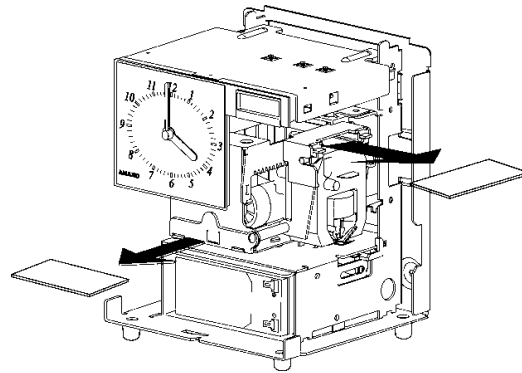
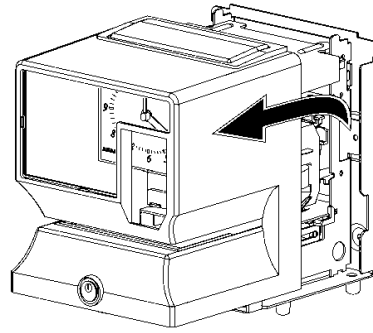
Environment: Indoor use only; dust-free environment. Keep
out of direct sunlight.

External View

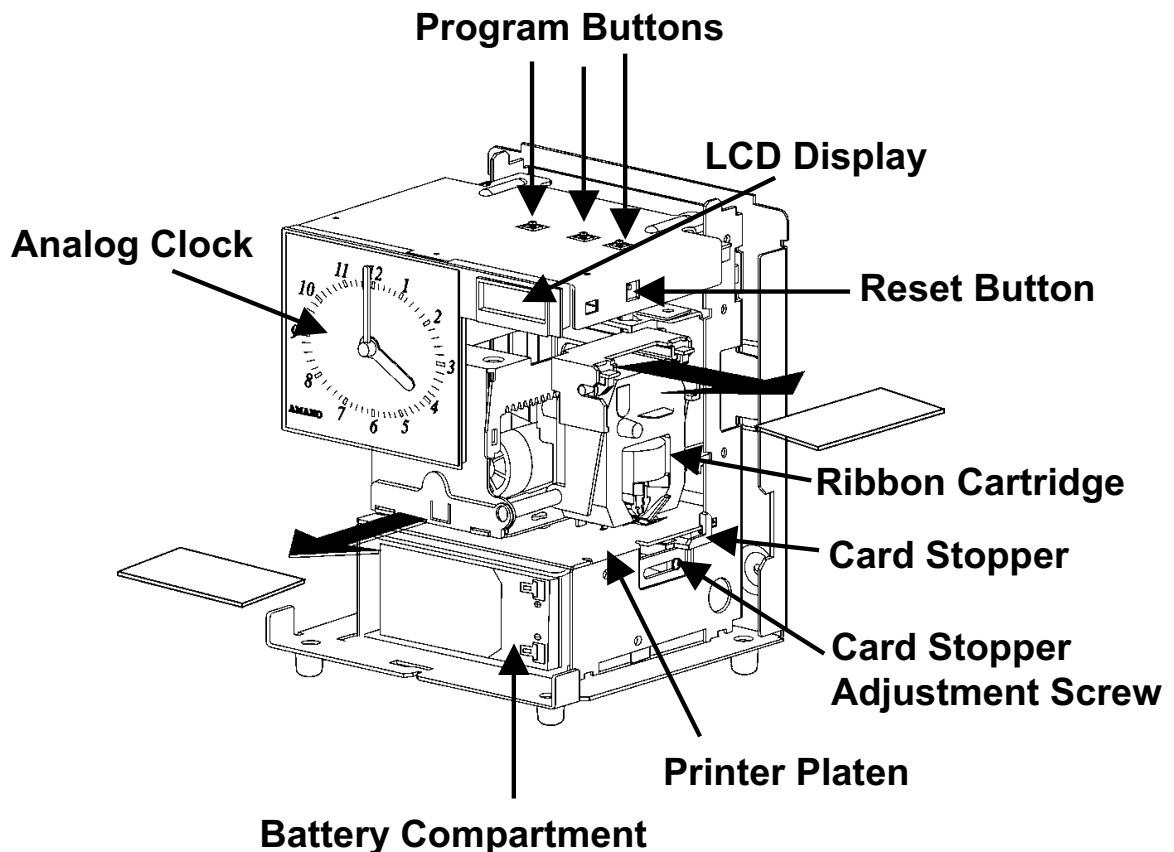


Removing the Cover & Packing Material

1. Turn the key clockwise to unlock the cover.
2. Lift the cover up, then pull towards you to remove it.
3. Lift the printer block and remove the spacer.
4. Remove the spacer between the Ribbon Cartridge and the Printer Carriage Tab.
5. Reinstall the cover of your unit.



Internal View

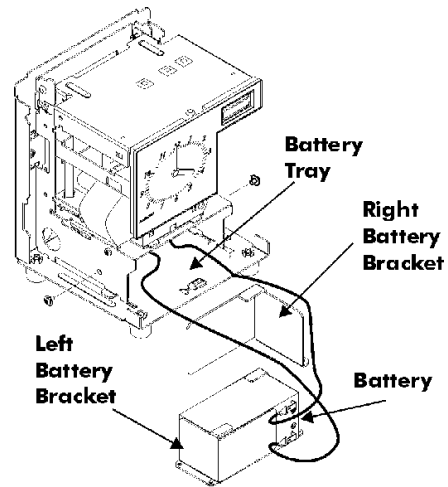


Power Options

The TCX-22 can be powered by either an AC Adapter or a 12 volt Sealed Rechargeable battery. The Battery Power Switch on the base enables you to turn the Battery Power ON or OFF. The battery is equipped to maintain normal operations for 1 week and/or 5000 prints in the event of an A/C power failure.

Installing the 12 Volt Battery

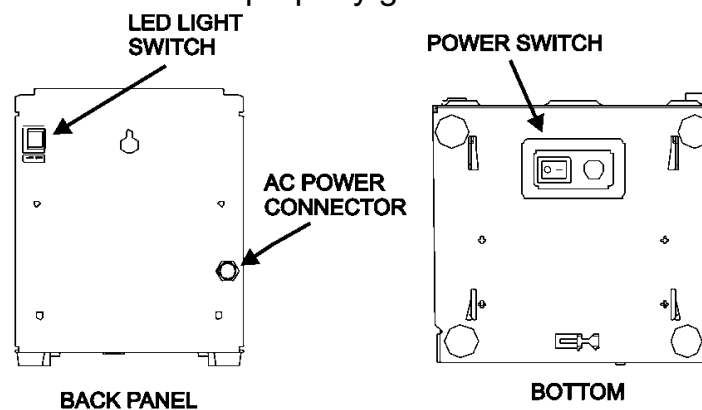
1. Remove the AC Adapter if equipped and remove the cover.
2. Lay the unit down clock face up
3. Remove left battery bracket screws
4. Pull out the left battery bracket.
5. Carefully insert the battery with the positive and negative clips facing outwards and to the right.
6. Install the left battery bracket
7. Observing polarity, attach the "Red" Positive female wire harness to the "Red" (+) Positive male connector on the Battery.
8. Attach the "Black" Negative female harness wire to the "Black" (-) Negative connector located on the battery.
9. Set the Battery Power to the "Connected" position.



Note: Recharge the battery at least every two weeks or every 5000 prints. The minimum charging time should be 12 hours and the switch should be turned off when the unit is not in use.

Connecting the AC Adapter

1. Set the Battery Power Switch to the OFF position.
2. Verify that the AC outlet voltage falls in the range of 100-240 Volts AC. Verify that the cord and plug are appropriate for your AC source.
3. Plug the connector end of the AC Adapter into the Power Connector and the other end into a properly grounded 120 or 240 Volt outlet.



Make a Test Print

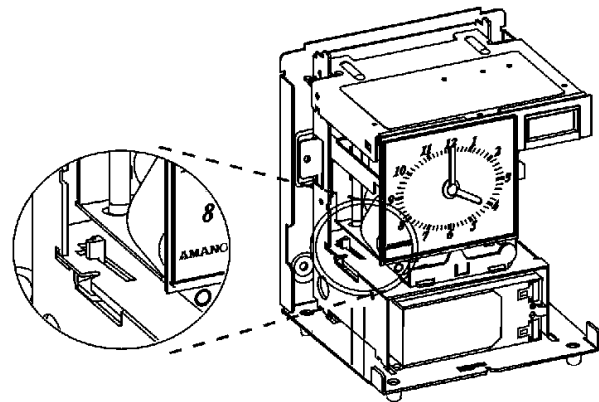
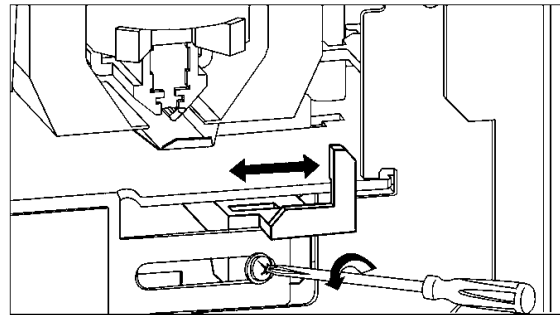
1. Make sure that there is power to the TCX-22 (Refer to Page 3).
2. Insert a piece of paper or time card into the TCX-22. The clock will automatically print YEAR, MONTH, DATE and TIME with AM or PM.

1998 JAN 1 AM12:00

3. If the imprint is satisfactory, the TCX-22 is ready for use.
4. If you wish to change the time and/or print style on the TCX-22, enter into Program Mode for various print styles. The next page gives instructions on programming the TCX-22 to fit your needs.

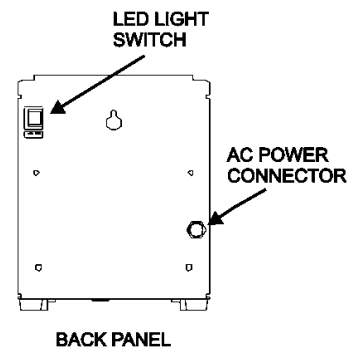
Adjusting the Margin

1. Unlock and remove the cover. Note – suggest unplugging the clock before performing margin adjustment.
2. Locate the Card Stopper Adjustment Screw on the right side of the clock, below the printer platen.
3. Position a piece of paper or time card as desired.
4. Loosen the screw to move the Card Stopper forward or back. Tighten the screw as needed. (See top illustration.) The print margin can be adjusted to a maximum of 7/8" (22 mm).



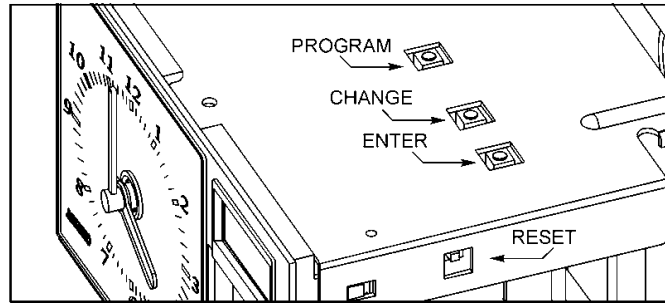
Illuminated Print Option

The TCX-22 is equipped with a feature that allows the print area to illuminate. The switch is located on the back panel. When connected to an AC adapter the unit will stay illuminated. When used with a battery, it illuminates for about 20 minutes every time the LED switch is pressed.



Program Mode Guide

Unlock and remove the cover. Locate the **PROGRAM**, **CHANGE** and **ENTER** buttons on top of the clock.



The **PROGRAM** button is used to enter and exit the Program Mode. Press the PROGRAM button at any time to exit the Program Mode. If a program step is in the process of being changed when this button is pushed, the new information will not be saved.

The **CHANGE** button is used to change the information on the display. When you are reviewing the main programming menu, use the CHANGE button to advance to the next programming step. When you are revising a programming step, use the CHANGE button to change the blinking information.

The **ENTER** button is used to accept the information shown on the display and save it in memory.

The **RESET** button is located on the right-side of the clock. Pressing this button will clear any jams or errors.

Entering the Program Mode

1. Unlock and remove the cover.
2. Press and hold the PROGRAM button to access the Main Programming Menu. The Main Programming Menu consists of the Following

Menu Code	Menu	Function
P1	dA±E	Sets the date
P2	Cloc	Sets the clock time
P3	dLS±	Disable/Enable Daylight Saving Time
P4	Prnt±	Sets the print style using Quick Print Set-Up Codes
P5	O±hr	Accesses Other Options Menu

-
- When P1 dA±E flashes in the display, release the PROGRAM button. To move to the next menu item, press the CHANGE button.

P1 dA±E

Note: If no other button is pressed after five minutes, the clock will return to the Normal Mode and the clock hands will reset.

Setting the Year, Month and Date

- When the display flashes P1 dA±E, press the ENTER button.
- Press the CHANGE button until the correct year appears, then press the ENTER button.
- Press the CHANGE button until the correct month appears, then press the ENTER button.
- Press the CHANGE button until the correct date appears, then press the ENTER button.
- When the display flashes the correct year, month and date, press the ENTER button.
- When the display flashes P1 dA±E, press the CHANGE button to move to Setting the Clock Time.

P1 dA±E

95 01 01

98 01 01

98 04 01

98 04 18

P1 dA±E

Setting the Clock Time

Note: Use a 24 hour and 60 minute format when setting the time. For example, 2:00 PM = 14:00.

- Press the PROGRAM button for two seconds.
- Press the CHANGE button until the display flashes P2 CLoc, then press the ENTER button.
- Press the CHANGE button until the correct hour appears, then press the ENTER button.
- Press the CHANGE button until the correct minute appears, then press the ENTER button.
- When the display flashes the correct time, press the ENTER button.
- When the display flashes P2 CLoc, press the CHANGE button to move to the Daylight Saving Time On/Off Setting.

P2 CLoc

12:00

14:00

14:07

P2 CLoc

Disabling/Enabling Daylight Saving Time (DST)

Note: When this setting is set to ON, the clock's time will automatically change for DST. When this setting is set to OFF, the clock's time will not change for DST. The dates to begin and end DST are set in the Other Options Menu (See page 8).

1. When the display flashes P3 dL St, press the ENTER button. P3 dL St
2. Press the CHANGE button to alternate between On and Off. on
3. When the display flashes the correct setting, press the ENTER button. oFF
4. When the display flashes P3 dL St, press the CHANGE button to move to the Quick Set-Up Code setting. P3 dL St

The Quick Set-Up Code Setting

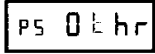
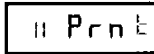
Note: If you do not wish to use one of the Quick Set-Up Code settings, you may set an alternate style on the following page.

1. When the display flashes P4 Prnt, press the ENTER button. P4 Prnt
2. The display will flash the current setting. Press the CHANGE button to scroll through each of the Quick Set-Up Code Settings. Pr-2

Code	Print Style	Print Direction
Pr-1	Day, 24Hr., 100th/Hr	Right Side Print
Pr-2	Day, 12Hr., 60th/Hr.	Right Side Print
Pr-3	Month, Date, 24Hr., 100th/Hr.	Right Side Print
Pr-4	Month, Date, 12Hr., 60th/Hr.	Right Side Print
Pr-5	2 Digit Year, Month, Date, 12Hr., 60th/Hr.	Right Side Print
Pr-6	4 Digit Year, Month, Date, 12Hr., 60th/Hr.	Right Side Print
Pr-7	4 Digit Year, Month, Date, 24Hr., 60th/Hr.	Right Side Print

3. When the display flashes the correct setting, press the ENTER button. Pr-2
4. When the display flashes P4 Prnt, press the CHANGE button to move to the Other Options menu. P4 Prnt


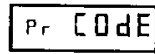
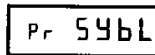
Accessing the Other Options Menu

1. When the display flashes P5 0Er, press the ENTER button. 
2. The display will flash the first programming step in the Other Options sub-menu. Press the CHANGE button to advance through the menu selections. 

Menu Code	Menu	Function
I1	PrnE	Set Print Style using Symbol or Print Style Codes
I2	LAn9	Sets the Language of the print out
I3	Prdr	Sets the Print Direction (left or right hand)
I4	APrE	Disable, enable, or configure the Auto print option
I5	2Er0	Disable/enable Leading Zero in print out
I6	bdLE	Set the date that Daylight Saving Time begins
I7	EdLE	Set the date that Daylight Saving Time ends
I8	dIA9	Accesses the Diagnostic Routine


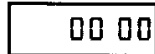

Setting Up Alternate Print Styles

Note: If you do not wish to use one of the Quick Set-Up Code settings, you may select from the Alternate Print Style sub-menu.

1. When the display flashes 11 PrnE, press the ENTER button. 
2. Press the CHANGE button to move from Code setting to Symbol setting. If you select Code, you must enter a Print Style Code from Table 1 on the next page. If you select Symbol, you can “build” a custom Print Style using Tables 2 and 3 on pages 10 and 11. 

3. When the display flashes the correct setting, press the ENTER button.

Selecting a Print Code

Note: Refer to Table 1 on the next page for Print Style Codes.

1. When the display flashes Pr CODE, press the ENTER button. 
2. Press the CHANGE button until the desired number appears in the first position. Press the ENTER button. 
3. Press the CHANGE button until the desired number appears in the second position. Press the ENTER button. 

4. Press the CHANGE button until the desired number appears in the third position. Press the ENTER button. 65 00
5. Press the CHANGE button until the desired number appears in the fourth position. Press the ENTER button. 65 70
6. When the display flashes all four correct numbers, press the ENTER button. 65 70
7. When the display flashes 11 Prnt, press the CHANGE button to move to the Language Setting. 11 Prnt

Table 1: Print Style Codes for the Program Mode

Code	Print Style	Print Direction
6510	DAY, 12H, 60th	Right Side Printing
6210	DAY, 24H, 10th	Right Side Printing
6810	DAY, 24H, 100th	Right Side Printing
6520	DATE, 12H, 60th	Right Side Printing
6620	DATE, 24H, 60th	Right Side Printing
6820	DATE, 24H, 100th	Right Side Printing
6540	DATE, MONTH, 12H, 60th	Right Side Printing
6640	DATE, MONTH, 24H, 60th	Right Side Printing
6840	DATE, MONTH, 24H, 100th	Right Side Printing
6680	DATE, MONTH, YEAR, 24H, 60th	Right Side Printing
6071	YEAR, MONTH, DATE, RCV'D	Right Side Printing
6072	YEAR, MONTH, DATE, SENT	Right Side Printing
6073	YEAR, MONTH, DATE, FAX'D	Right Side Printing
6074	YEAR, MONTH, DATE, VOID	Right Side Printing
6075	YEAR, MONTH, DATE, PAID	Right Side Printing
6076	YEAR, MONTH, DATE, CFM'D	Right Side Printing
6077	YEAR, MONTH, DATE, APR'D	Right Side Printing
6078	YEAR, MONTH, DATE, CMPL'D	Right Side Printing
6079	YEAR, MONTH, DATE, ORIGN	Right Side Printing
6070	YEAR, MONTH, DATE, FILE	Right Side Printing
5510	DAY, 12H, 60th	Left Side Printing
5210	DAY, 24H, 10th	Left Side Printing
5810	DAY, 24H, 100th	Left Side Printing
5520	DATE, 12H, 60th	Left Side Printing
5620	DATE, 24H, 60th	Left Side Printing
5820	DATE, 24H, 100th	Left Side Printing
5540	DATE, MONTH, 12H, 60th	Left Side Printing
5640	DATE, MONTH, 24H, 60th	Left Side Printing
5840	DATE, MONTH, 24H, 100th	Left Side Printing
5680	DATE, MONTH, YEAR, 24H, 60th	Left Side Printing
5071	YEAR, MONTH, DATE, RCV'D	Left Side Printing
5072	YEAR, MONTH, DATE, SENT	Left Side Printing
5073	YEAR, MONTH, DATE, FAX'D	Left Side Printing
5074	YEAR, MONTH, DATE, VOID	Left Side Printing
5075	YEAR, MONTH, DATE, PAID	Left Side Printing
5076	YEAR, MONTH, DATE, CFM'D	Left Side Printing

Code	Print Style	Print Direction
5077	YEAR, MONTH, DATE, APR'D	Left Side Printing
5078	YEAR, MONTH, DATE, CMPL'D	Left Side Printing
5079	YEAR, MONTH, DATE, ORIGN	Left Side Printing
5070	YEAR, MONTH, DATE, FILE	Left Side Printing

If you cannot locate the desired print style from the above list, refer to the instructions on the next page for programming the print style using symbols.

Customizing a Print Style Using Character Symbols

Note: The maximum displacement (print length) of the print head is 152 dots or 1.4" (35 mm). When viewed on the LCD display, this value becomes a percentage, where the maximum allowable value is 99%. To determine if your desired symbol will print, add the lengths of each character used from the table. The total should be less than 150 dots or 99%. Please refer to Tables 2 and 3 representing the print styles, number of dots or line lengths.

1. When the display flashes Pr SYbL, press the ENTER button.
2. Press the CHANGE button until the character symbol you want to print appears, then press the ENTER button.
3. A **0** symbol will appear in the display to designate the first Symbol Code has been assigned.
4. Continue to assign codes until you have finished.
5. Press the CHANGE button until the En code flashes, then press the ENTER button.
6. When the display flashes II Prnt, press the CHANGE button to move to the Language Setting.

Pr SYbL

YEAR

0 YEAR

02 59-0

02 En

02 II Prnt

Table 2: Custom Print Style Samples

Print Style	Example	Code to Enter	Length
DAY,12Hr,60th/Hr	FRI PM 1:45	dAY SPCE 1260th	82
DAY,24Hr,60th/Hr	FRI 13:45	dAY SPCE 2460th	68
DAY,24Hr,10th/Hr	FRI 13.7	dAY SPCE 2410th	58
DAY,24Hr,100th/Hr	FRI 13.75	dAY SPCE 24100th	68
DATE,12Hr,60th/Hr	13 PM 1:45	dAeE SPCE 1260th	82
DATE,24Hr,60th/Hr	13 13:45	dAeE SPCE 2460th	68
DATE,24Hr,10th/Hr	13 13.7	dAeE SPCE 2410th	58
DATE,24Hr,100th/Hr	13 13.75	dAeE SPCE 24100th	68
MONTH,DATE,12Hr,60th/Hr	APR13 PM 1:45	month SPCE dAeE SPCE 1260th	115
MONTH,DATE,24Hr,60th/Hr	APR13 13:45	month SPCE dAeE SPCE 2460th	101
MONTH,DATE,24Hr,10th/Hr	APR13 13.7	month SPCE dAeE SPCE 2410th	91
MONTH,DATE,24Hr,100th/Hr	APR13 13.75	month SPCE dAeE SPCE 24100th	101

Print Style	Example	Code to Enter	Length
YEAR,MONTH,DATE,12Hr,60th/Hr	95 APR13 PM 1:45	YEA _r SPCE mon th SPCE dA _t E SPCE 1260 th	143
YEAR,MONTH,DATE,24Hr,60th/Hr	95 APR13 13:45	YEA _r SPCE mon th SPCE dA _t E SPCE 2460 th	129
YEAR,MONTH,DATE,24Hr,10th/Hr	95 APR13 13.7	YEA _r SPCE mon th SPCE dA _t E SPCE 2410 th	119
YEAR,MONTH,DATE,24Hr,100th/Hr	95 APR13 13.75	YEA _r SPCE mon th SPCE dA _t E SPCE 24100 th	129
YEAR,MONTH,DATE,SYMBOL1	95 APR13 RCV'D	YEA _r SPCE mon th SPCE dA _t E SPCE SY-1	127
YEAR,MONTH,DATE,SYMBOL2	95 APR13 SENT	YEA _r SPCE mon th SPCE dA _t E SPCE SY-2	124
YEAR,MONTH, DATE,SYMBOL3	95 APR13 FAX'D	YEA _r SPCE mon th SPCE dA _t E SPCE SY-3	127
YEAR,MONTH, DATE,SYMBOL4	95 APR13 PAID	YEA _r SPCE mon th SPCE dA _t E SPCE SY-4	124

Table 3: Symbol Codes and Lengths

Code	Character	Length
2dYEA _r	2 Digit Year	25=16.45%
nnonh	Month	30=19.74%
dA _t E	Date	20=13.16%
dAY	Day	20=13.16%
JLAN	Julian Date	30=19.74%
12 10 th	12 Hr & 10 th /Hr	49=32.24%
12 20 th	12 Hr & 20 th /Hr	59=38.82%
12 60 th	12 Hr & 60 th /Hr	59=38.82%
12 100 th	12 Hr & 100 th /Hr	59=38.82%
24 10 th	24 Hr & 10 th /Hr	35=23.03%
24 20 th	24 Hr & 20 th /Hr	45=29.61%
24 60 th	24 Hr & 60 th /Hr	45=29.61%
24 100 th	24 Hr & 100 th /Hr	5=29.61%
SLSh	Slash (/)	10=6.58%
dASh	Dash (-)	07=4.61%
SPCE	Space ()	03=1.97%
4dYEA _r	4 Digit Year	28=14.00%
SY-1	RCV'D	43=28.29%
SY-2	SENT	40=26.32%
SY-3	FAX'D	43=28.29%
SY-4	VOID	40=26.32%
SY-5	PAID	40=26.32%
SY-6C	FM'D	43=28.29%
SY-7	APR'D	43=28.29%
SY-8	CMPL'D	53=34.87%
SY-9	ORIGN	50=32.89%
SY-10	FILE	40=26.32%
En	End of File	-
Ad	Add a Character	-
dL	Delete a Character	-

Setting the Language

1. When the display flashes I2 LAn9, press the ENTER button. I2 LAn9
2. Press the CHANGE button until the correct language appears, then press the ENTER button. L1 En9
3. When the display flashes I2 LAn9, press the CHANGE button to move to the Print Direction. Please refer to the table below for Language selections. I2 LAn9

English	Spanish	French	Portuguese
L1 En9	L2 SPn	L3 Frn	L4 Pt9

Setting the Print Direction

1. When the display flashes I3 Prdr, press the ENTER button. I3 Prdr
2. Press the CHANGE button until the correct direction appears, r9ht for Right Side Printing, or LEFt for Left Side Printing, then press the ENTER button. r9ht
3. When the display flashes I3 Prdr, press the CHANGE button to move to the Auto Print Setting. I3 Prdr

Setting the Auto Print

1. When the display flashes I4 APrt, press the ENTER button. I4 APrt
2. Press the CHANGE button until the correct printing mode appears, then press the ENTER button. on P

Auto Print (on P:): Will automatically print a single print when media is inserted.


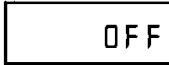
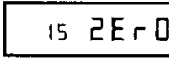
Manual Print (OFF): Requires you to use the PRINT button when printing.

Precision Print (on P:5): Enables you to print multiple or consecutive prints when holding down the PRINT button.

3. When the display flashes I4 APrt, press the CHANGE button to move to the Leading Zero Setting. I4 APrt

Setting the Leading Zero On or Off



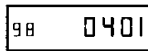

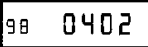

Note: The Leading Zero appears on the print out before single digit times and dates (For example DEC. 06, 08:00)

1. When the display flashes I5 2ErO, press the ENTER button. 
2. When the display flashes OFF or on, press the CHANGE button to toggle between off and on. Press the ENTER button to select. 
3. When the display flashes I5 2ErO, press the CHANGE button to move to the Begin Daylight Saving Time setting. 

Setting Begin Daylight Saving Time

Note: The government standard for DST is subject to change. Your clock is factory-set for correct DST based upon when it was manufactured, but any revision to DST begin or end dates may require updating the system-set DST calendar.

The steps below change the begin date for DST. DST is enabled and disabled in the Main Programming Menu. Updating the begin date for DST needs to be done just one time*, since the clock's rolling calendar function will auto-calculate the begin date for each year thereafter. To change the end date for DST, refer to the next section.

1. When the display flashes I6 bdL_t, press the ENTER button. 
2. Press the CHANGE button until the correct year appears, then press the ENTER button. 
3. Press the CHANGE button until the correct month appears, then press the ENTER button. 
4. Press the CHANGE button until the correct date appears, then press the ENTER button. 
5. When the display flashes the correct year, month and date, press the ENTER button. 
6. When the display flashes I6 bdL_t, press the CHANGE button to move to the End Daylight Saving Time Setting (17 EdL_t will display). 

Setting End Daylight Saving Time

Note: The government standard for DST is subject to change. Your clock is factory-set for correct DST based upon when it was manufactured, but any revision to DST begin or end dates may require updating the system-set DST calendar.

The steps below change the end date for DST. DST is enabled and disabled in the Main Programming Menu. Updating the end date for DST needs to be done just one time*, since the clock's rolling calendar function will auto-calculate the end date for each year thereafter.

1. When the display flashes 17 EdL \bar{L} , press the ENTER button. 17 EdL \bar{L}
2. Press the CHANGE button until the correct year appears, then press the ENTER button. 90 1028
3. Press the CHANGE button until the correct month appears, then press the ENTER button. 98 1028
4. Press the CHANGE button until the correct date appears, then press the ENTER button. 98 1028
5. When the display flashes the correct year, month and date, press the ENTER button. 98 1029
6. When the display flashes 17 EdL \bar{L} , press the CHANGE button to move to the Diagnostics Mode (see Exit Program Mode to end). 17 EdL \bar{L}

The Diagnostic Routine

The Diagnostic Routine checks the LCD segments, the number of prints, and clears the memory (Print Style, Language, Leading Zero Suppress, Clock and Calendar, Right/Left Print and Daylight Saving Time features).

1. When the display flashes I8 d1R9, press the ENTER button. The Diagnostic Routine consists of the following: i8 d1R9

Menu Code	Menu	Function
d1	LCd	Tests the segments of the LCD
d2	NPr \bar{L}	Displays total number of print outs
d3	Clr	Clears memory and restores default settings

-
2. When the display flashes d1 LCd (LCD segments check), press the ENTER button. d1 LCd
 3. When all of the LCD segments are turned on, press the ENTER button to advance to the next step.
 4. When the display flashes d2 nPrt (total number of prints), press the ENTER button. d2 nPrt
 5. The number of prints counted will be displayed. Press the ENTER, then CHANGE button to advance to the next step. 00
 6. When the display flashes d3 CLr (memory clear), press the ENTER button. d3 CLr
 7. To clear the memory and reset the defaults, press the CHANGE button until the 3 appears, then press the ENTER button. Press the CHANGE button until the 2 appears, then press the ENTER button. 30
 8. When the display flashes 32, press the ENTER button. 32

Exit Program Mode

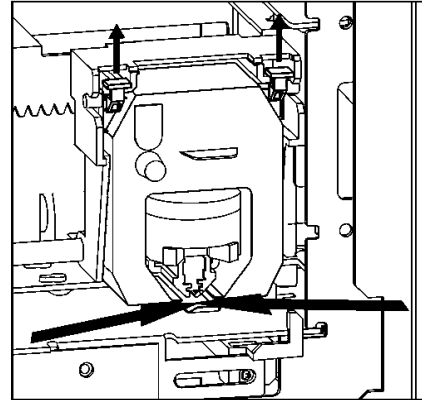
Press the PROGRAM button and the display will show the current date. The clock hands will reset to the current time.

Note: The TCX-22 uses a Lithium battery to maintain the user settings in case of a power failure. If a power failure occurs and the Lithium battery is dead, the time clock settings may revert to default settings (i.e., DST Begin and End dates may change).

Replacing the Ribbon

To Remove:

1. Remove the cover.
2. Pull the two white release tabs upward and remove the ribbon cassette.



To Insert:

1. If the print mechanism is down and a piece of paper cannot be inserted, press the RESET button to move the carriage up. This will make the ribbon installation easier.
2. Insert the ribbon cassette. **Be sure to mount the ribbon between the printer head and ribbon guide as arrows illustrate.**
3. Turn the knob on the cassette clockwise one turn to take up any slack in the ribbon.
4. Replace the cover and check the print quality to confirm that you have installed the ribbon correctly.

Error Messages

Error Code	Cause
E1 Prt	Home sensor, motor carriage stuck
E2 Prt	Time sensor, carriage stuck
E3 Prt	Home sensor
E4 Prt	Carriage stuck
Err	General print error
dLk	Daylight Saving Time Program

For error messages E1 through E4, turn off the power before checking to see that the carriage is not stuck or jammed. Also, check to see that the ribbon cables are in good condition. After clearing any jams, restore the power and press the RESET button. Contact your Amano Cincinnati representative for assistance.

The dLk error message signifies that an attempt was made to get into the Program mode during the Daylight Saving changeover one-hour lockout. Wait one hour and you will be able to program the clock.